

PLEASE CHECK WWW.MOLEX.COM FOR LATEST PART INFORMATION

Part Number: [0395240004](#)
Status: **Active**
Description: 5.00mm (.197") Pitch Eurostyle™ Horizontal Plug, with Retention Screws, 4 Circuits

Documents:

[Drawing \(PDF\)](#) [RoHS Certificate of Compliance \(PDF\)](#)
[Product Specification PS-39500-001 \(PDF\)](#)

General

Product Family	Terminal Blocks
Series	39524
Application	Wire-to-Board
Component Type	Plug
Product Literature Order No	USA-355
Product Name	ESE, Eurostyle™ Pluggable
Type	Euro Block

Physical

Circuits (Loaded)	4
Entry Angle	Vertical
Lock to Mating Part	Yes
Number of Rows	1
Orientation	Horizontal
Panel Mount	No
Pitch - Mating Interface (in)	0.197 In
Pitch - Mating Interface (mm)	5.00 mm
Polarized to Mating Part	Yes
Stackable	No
Temperature Range - Operating	-40°C to +105°C
Wire Size AWG	12, 14, 16, 18, 20, 22, 24, 26
Wire Size mm ²	0.13 - 3.31

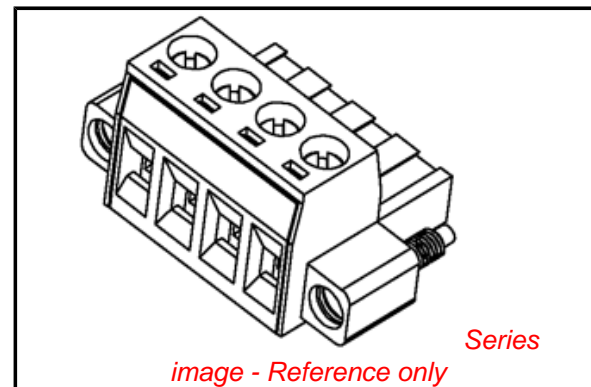
Electrical

Current - Maximum per Contact	15A
Voltage - Maximum	300V

Material Info

Reference - Drawing Numbers

Product Specification	PS-39500-001
Sales Drawing	SD-39524-001



EU RoHS

**ELV and RoHS
Compliant**
REACH SVHC
 Not Reviewed
**Halogen-Free
Status**

China RoHS



**Need more information on product
environmental compliance?**

Email productcompliance@molex.com
 For a multiple part number RoHS Certificate of Compliance, [click here](#)

Please visit the [Contact Us](#) section for any non-product compliance questions.

Search Parts in this Series

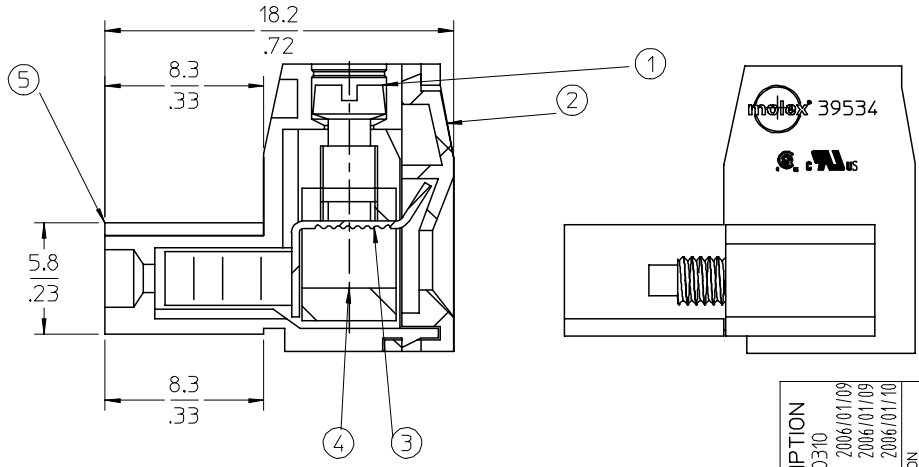
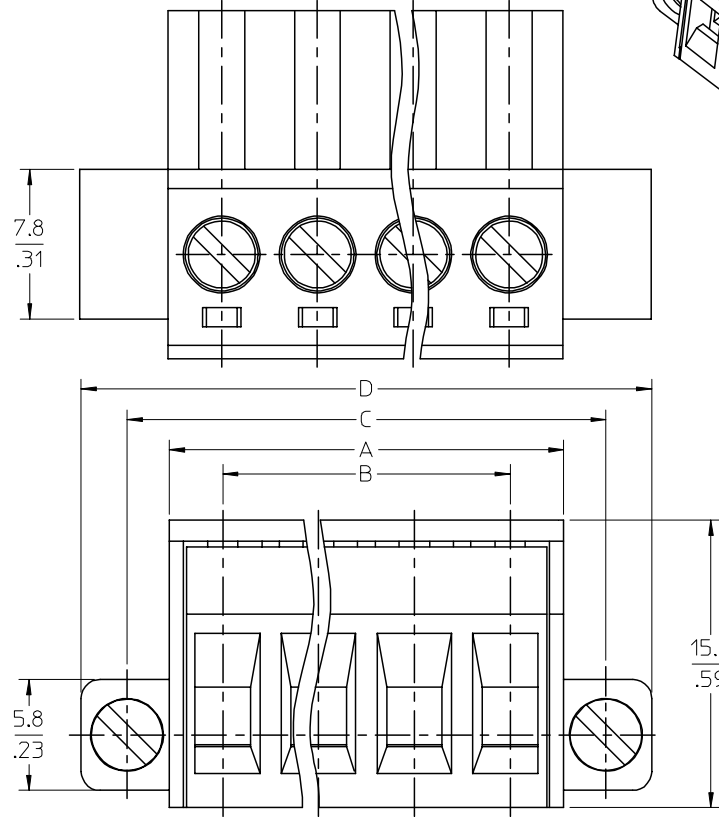
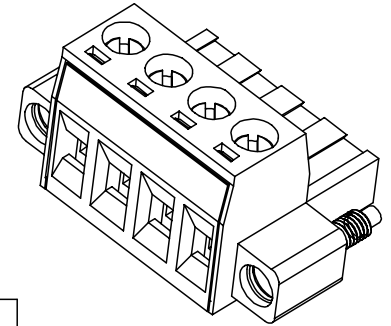
[39524Series](#)

Mates With

Most 5.00mm (.197") Pitch Industry Standard PCB Headers, [39525](#) Vertical PCB Header with Threaded Retention Inserts, [39526](#) Horizontal PCB Header with Threaded Retention Inserts

SPECIFICATIONS:

1. Material:
 - (1). Screw: Steel
 - (2). Cover: PA66
 - (3). Terminal: Brass
 - (4). Cage: Brass
 - (5). Body: PA66
2. Wire range: 12 - 26 AWG
3. Electrical rating: 300V, 15A.
4. Wire strip length: 5mm.
5. Operating temperature: -40 to +105C.
6. Max Torque: 5 in lbs.
7. Insulation resistance: DC 500V, 500M.
8. Dielectric withstand: AC 2500V for 1 minute.
9. Breakdown voltage: 4000V.
10. Contact resistance: <10 m-ohms.
11. $A = (N \times P)$
12. $B = (N - 1) \times P$
13. $C = B + 10\text{mm}$
14. $D = A + 9.8\text{mm}$
15. P (PITCH) = 5.0MM (.197")
16. N = Number of positions available 2 through 24.



ENTER DESCRIPTION EC NO: NEO2006-0310 DRWN: LROTHAUS 2006/01/09 CHKD: CYORK 2006/01/09 APPR: JPAMLIK 2006/01/10	QUALITY SYMBOLS ▽=0 ▽=0	GENERAL TOLERANCES (UNLESS SPECIFIED)		DIMENSION STYLE MM/IN	SCALE 4:1	DESIGN UNITS INCH	THIRD ANGLE PROJECTION		
		4 PLACES ± --- ±.0015	3 PLACES ±0.038 ±.005	DRAWN BY LROTHAUS	DATE 12/6/05	TITLE 5.0MM, EURO PLUG, RIGHT ANGLE, MOUNTING ENDS			
		2 PLACES ±0.13 ±.01	1 PLACE ±0.3 ± ---	CHECKED BY C. YORK	DATE 01/06/06				
		ANGULAR ± 2 °		APPROVED BY	DATE	MOLEX INCORPORATED			
DRAFT WHERE APPLICABLE MUST REMAIN WITHIN DIMENSIONS		MATERIAL NO. SEE CHART	DOCUMENT NO. SD-39524-001	SHEET NO. 1 OF 1					

10 9 8 7 6 5 4 3 2 1

Description	Circuit size	Material Numbers											Dimensional Information									
		Black						Green					Dim. A				Dim. B		Dim. C		Dim. D	
		100% Tin			30 u" Gold			100% Tin			30 u" Gold		mm		inch		mm		inch			
		Printing Options			Printing Options			Printing Options			Printing Options		mm	inch	mm	inch	mm	inch	mm	inch		
		None	10A	11A	None	10A	11A	None	10A	11A	None	10A	11A	mm	inch	mm	inch	mm	inch			
5.0mm, Euro Plug, Right Angle, Mounting Ends	2	395240002	395240102	395240202	395240502	395240602	395240702	395245002	395245102	395245202	395245502	395245602	395245702	10.00	0.394	5.00	0.197	15.00	0.591	19.80	0.780	
5.0mm, Euro Plug, Right Angle, Mounting Ends	3	395240003	395240103	395240203	395240503	395240603	395240703	395245003	395245103	395245203	395245503	395245603	395245703	15.00	0.591	10.00	0.394	20.00	0.787	24.80	0.976	
5.0mm, Euro Plug, Right Angle, Mounting Ends	4	395240004	395240104	395240204	395240504	395240604	395240704	395245004	395245104	395245204	395245504	395245604	395245704	20.00	0.787	15.00	0.591	25.00	0.984	29.80	1.173	
5.0mm, Euro Plug, Right Angle, Mounting Ends	5	395240005	395240105	395240205	395240505	395240605	395240705	395245005	395245105	395245205	395245505	395245605	395245705	25.00	0.984	20.00	0.787	30.00	1.181	34.80	1.370	
5.0mm, Euro Plug, Right Angle, Mounting Ends	6	395240006	395240106	395240206	395240506	395240606	395240706	395245006	395245106	395245206	395245506	395245606	395245706	30.00	1.181	25.00	0.984	35.00	1.378	39.80	1.567	
5.0mm, Euro Plug, Right Angle, Mounting Ends	7	395240007	395240107	395240207	395240507	395240607	395240707	395245007	395245107	395245207	395245507	395245607	395245707	35.00	1.378	30.00	1.181	40.00	1.575	44.80	1.764	
5.0mm, Euro Plug, Right Angle, Mounting Ends	8	395240008	395240108	395240208	395240508	395240608	395240708	395245008	395245108	395245208	395245508	395245608	395245708	40.00	1.575	35.00	1.378	45.00	1.772	49.80	1.961	
5.0mm, Euro Plug, Right Angle, Mounting Ends	9	395240009	395240109	395240209	395240509	395240609	395240709	395245009	395245109	395245209	395245509	395245609	395245709	45.00	1.772	40.00	1.575	50.00	1.969	54.80	2.157	
5.0mm, Euro Plug, Right Angle, Mounting Ends	10	395240010	395240110	395240210	395240510	395240610	395240710	395245010	395245110	395245210	395245510	395245610	395245710	50.00	1.969	45.00	1.772	55.00	2.165	59.80	2.354	
5.0mm, Euro Plug, Right Angle, Mounting Ends	11	395240011	395240111	395240211	395240511	395240611	395240711	395245011	395245111	395245211	395245511	395245611	395245711	55.00	2.165	50.00	1.969	60.00	2.362	64.80	2.551	
5.0mm, Euro Plug, Right Angle, Mounting Ends	12	395240012	395240112	395240212	395240512	395240612	395240712	395245012	395245112	395245212	395245512	395245612	395245712	60.00	2.362	55.00	2.165	65.00	2.559	69.80	2.748	
5.0mm, Euro Plug, Right Angle, Mounting Ends	13	395240013	395240113	395240213	395240513	395240613	395240713	395245013	395245113	395245213	395245513	395245613	395245713	65.00	2.559	60.00	2.362	70.00	2.756	74.80	2.945	
5.0mm, Euro Plug, Right Angle, Mounting Ends	14	395240014	395240114	395240214	395240514	395240614	395240714	395245014	395245114	395245214	395245514	395245614	395245714	70.00	2.756	65.00	2.559	75.00	2.953	79.80	3.142	
5.0mm, Euro Plug, Right Angle, Mounting Ends	15	395240015	395240115	395240215	395240515	395240615	395240715	395245015	395245115	395245215	395245515	395245615	395245715	75.00	2.953	70.00	2.756	80.00	3.150	84.80	3.339	
5.0mm, Euro Plug, Right Angle, Mounting Ends	16	395240016	395240116	395240216	395240516	395240616	395240716	395245016	395245116	395245216	395245516	395245616	395245716	80.00	3.150	75.00	2.953	85.00	3.346	89.80	3.535	
5.0mm, Euro Plug, Right Angle, Mounting Ends	17	395240017	395240117	395240217	395240517	395240617	395240717	395245017	395245117	395245217	395245517	395245617	395245717	85.00	3.346	80.00	3.150	90.00	3.543	94.80	3.732	
5.0mm, Euro Plug, Right Angle, Mounting Ends	18	395240018	395240118	395240218	395240518	395240618	395240718	395245018	395245118	395245218	395245518	395245618	395245718	90.00	3.543	85.00	3.346	95.00	3.740	99.80	3.929	
5.0mm, Euro Plug, Right Angle, Mounting Ends	19	395240019	395240119	395240219	395240519	395240619	395240719	395245019	395245119	395245219	395245519	395245619	395245719	95.00	3.740	90.00	3.543	100.00	3.937	104.80	4.126	
5.0mm, Euro Plug, Right Angle, Mounting Ends	20	395240020	395240120	395240220	395240520	395240620	395240720	395245020	395245120	395245220	395245520	395245620	395245720	100.00	3.937	95.00	3.740	105.00	4.134	109.80	4.323	
5.0mm, Euro Plug, Right Angle, Mounting Ends	21	395240021	395240121	395240221	395240521	395240621	395240721	395245021	395245121	395245221	395245521	395245621	395245721	105.00	4.134	100.00	3.937	110.00	4.331	114.80	4.520	
5.0mm, Euro Plug, Right Angle, Mounting Ends	22	395240022	395240122	395240222	395240522	395240622	395240722	395245022	395245122	395245222	395245522	395245622	395245722	110.00	4.331	105.00	4.134	115.00	4.528	119.80	4.717	
5.0mm, Euro Plug, Right Angle, Mounting Ends	23	395240023	395240123	395240223	395240523	395240623	395240723	395245023	395245123	395245223	395245523	395245623	395245723	115.00	4.528	110.00	4.331	120.00	4.724	124.80	4.913	
5.0mm, Euro Plug, Right Angle, Mounting Ends	24	395240024	395240124	395240224	395240524	395240624	395240724	395245024	395245124	395245224	395245524	395245624	395245724	120.00	4.724	115.00	4.528	125.00	4.921	129.80	5.110	

SEE SHEET 1 EC NO: NEC2006-0310 DRWN: LROTHAUS 2006/01/09 CHKD: CYORK 2006/01/09 APPR: J.P.A.M.L.K 2006/01/10 DESCRIPTION REV	QUALITY SYMBOLS	GENERAL TOLERANCES (UNLESS SPECIFIED)	DIMENSION STYLE	SCALE	DESIGN UNITS	THIRD ANGLE PROJECTION										
	$\nabla=0$ $\nabla=0$	<table border="1"> <tr><th>mm</th><th>INCH</th></tr> <tr><td>4 PLACES ± ---</td><td>±.0015</td></tr> <tr><td>3 PLACES ± 0.038</td><td>±.005</td></tr> <tr><td>2 PLACES ± 0.13</td><td>±.01</td></tr> <tr><td>1 PLACE ± 0.3</td><td>± ---</td></tr> </table>	mm	INCH	4 PLACES ± ---	±.0015	3 PLACES ± 0.038	±.005	2 PLACES ± 0.13	±.01	1 PLACE ± 0.3	± ---	MM/IN	4:1	INCH	
	mm	INCH														
	4 PLACES ± ---	±.0015														
3 PLACES ± 0.038	±.005															
2 PLACES ± 0.13	±.01															
1 PLACE ± 0.3	± ---															
<table border="1"> <tr><td>ANGULAR ± 2 °</td></tr> </table>	ANGULAR ± 2 °	<table border="1"> <tr><td>DRAWN BY</td><td>DATE</td></tr> <tr><td>LROTHAUS</td><td>12/6/05</td></tr> <tr><td>CHECKED BY</td><td>DATE</td></tr> <tr><td>C. YORK</td><td>01/06/06</td></tr> <tr><td>APPROVED BY</td><td>DATE</td></tr> </table>	DRAWN BY	DATE	LROTHAUS	12/6/05	CHECKED BY	DATE	C. YORK	01/06/06	APPROVED BY	DATE	TITLE	5.0MM, EURO PLUG RIGHT ANGLE MOUNTING ENDS		
ANGULAR ± 2 °																
DRAWN BY	DATE															
LROTHAUS	12/6/05															
CHECKED BY	DATE															
C. YORK	01/06/06															
APPROVED BY	DATE															
	DRAFT WHERE APPLICABLE MUST REMAIN WITHIN DIMENSIONS	MATERIAL NO.	DOCUMENT NO.	SHEET NO.												
		SEE CHART	SD-39524-001	2 OF 2												
		THIS DRAWING CONTAINS INFORMATION THAT IS PROPRIETARY TO MOLEX INCORPORATED AND SHOULD NOT BE USED WITHOUT WRITTEN PERMISSION														

9 8 7 6 5 4 3 2 1